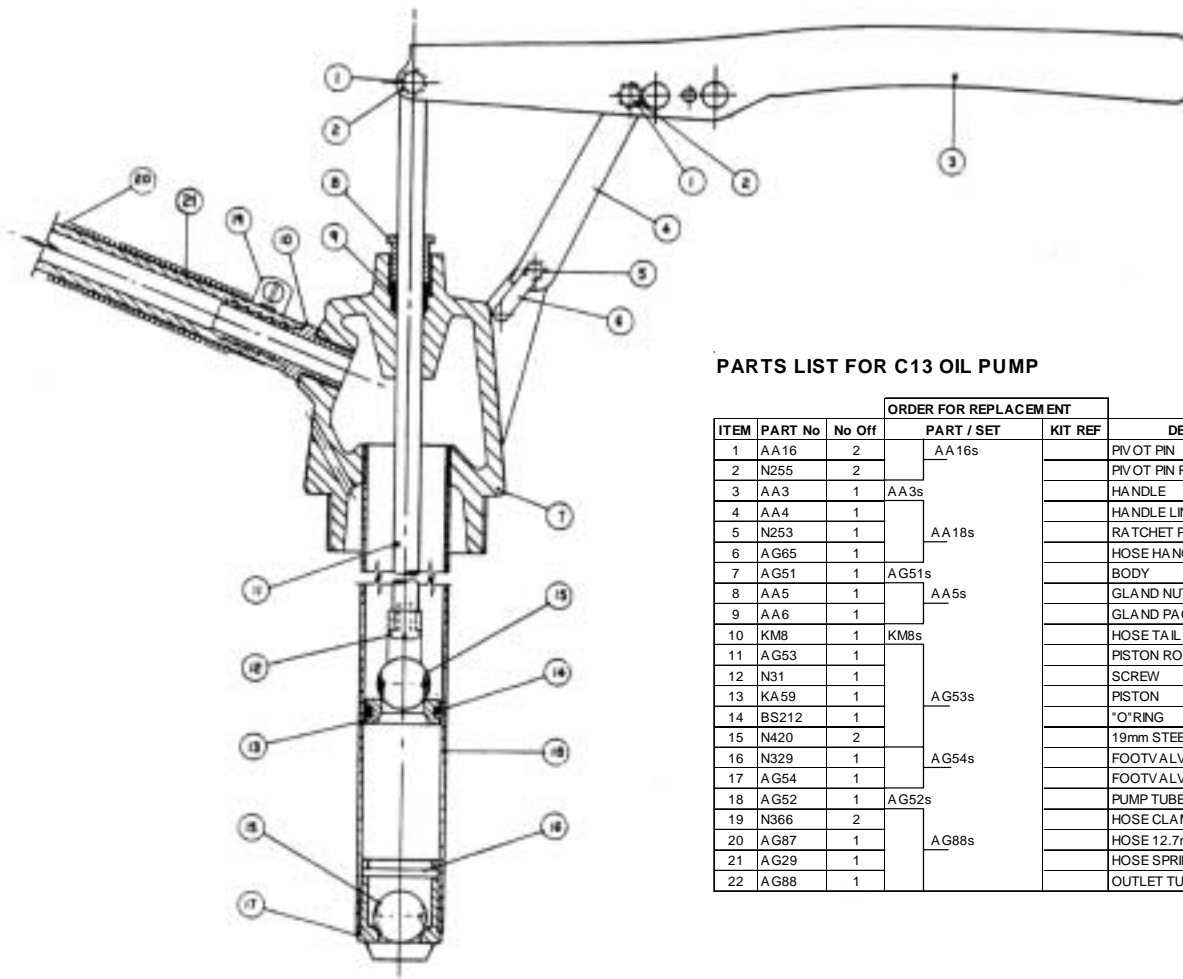


# PARTS DIAGRAM



## PARTS LIST FOR C13 OIL PUMP

ORDER FOR REPLACEMENT					
ITEM	PART No	No Off	PART / SET	KIT REF	DESCRIPTION
1	AA16	2	AA16s		PIVOT PIN
2	N255	2			PIVOT PIN RETAINER
3	AA3	1	AA3s		HANDLE
4	AA4	1			HANDLE LINK
5	N253	1	AA18s		RATCHET PLATE
6	AG65	1			HOSE HANGER PIVOT
7	AG51	1	AG51s		BODY
8	AA5	1	AA5s		GLAND NUT
9	AA6	1			GLAND PACKING
10	KM8	1	KM8s		HOSE TAIL
11	AG53	1			PISTON ROD
12	N31	1			SCREW
13	KA59	1	AG53s		PISTON
14	BS212	1			*O-RING
15	N420	2			19mm STEEL BALL
16	N329	1	AG54s		FOOTVALVE PIN
17	AG54	1			FOOTVALVE
18	AG52	1	AG52s		PUMP TUBE
19	N366	2			HOSE CLAMP
20	AG87	1	AG88s		HOSE 12.7mm x 1.84mm LONG
21	AG29	1			HOSE SPRING
22	AG88	1			OUTLET TUBE ASSEMBLY

## PARTS LIST FOR C11 OIL PUMP

ORDER FOR REPLACEMENT					
ITEM	PART No	No Off	PART / SET	KIT REF	DESCRIPTION
1	AA16	2	AA16s		PIVOT PIN
2	N255	2			PIVOT PIN RETAINER
3	AA3	1	AA3s		HANDLE
4	AA4	1			HANDLE LINK
5	N253	1	AA18s		RATCHET PLATE
6	AG65	1			HOSE HANGER PIVOT
7	AG51	1	AG51s		BODY
8	AA5	1	AA5s		GLAND NUT
9	AA6	1			GLAND PACKING
10	KM8	1	KM8s		HOSE TAIL
11	AG43	1			PISTON ROD
12	N31	1			SCREW
13	KA59	1	AG43s		PISTON
14	BS212	1			*O-RING
15	N420	2			19mm STEEL BALL
16	N329	1	AG54s		FOOTVALVE PIN
17	AG54	1			FOOTVALVE
18	AG42	1	AG42s		PUMP TUBE
19	N366	2			HOSE CLAMP
20	AG87	1	AG88s		HOSE 12.7mm x 1.84mm LONG
21	AG29	1			HOSE SPRING
22	AG88	1			OUTLET TUBE ASSEMBLY

