



AG30
0403
0006

C11 AND C13 GEAR OIL PUMPS

Thank you for purchasing either a Macnaught model C11 or C13 Gear Oil Pump.

Models C11 and C13 are supplied complete with hose assembly and nozzle. Other models available are CF11 and CF13, which are supplied standard with hose, filter and nozzle assembly.

Please read and retain this instruction sheet to assist you in the maintenance of this quality product.

IMPORTANT

Before operation ensure that manual non-drip nozzle is open to prevent pressure build up or hose damage.

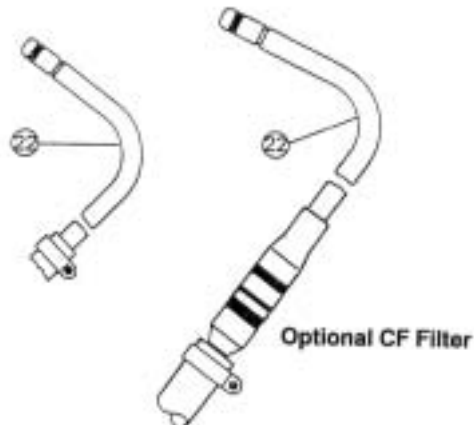
FEATURES

- * C11 Fits 205 Litre Drums
- * C13 Fits 60 Litre Drums
- * Suitable for oils up to SAE 140
- * Delivers approximately 75ml / stroke
- * Optional CF strainer available

DESCRIPTION

The C11 and C13 pumps are designed specifically for pumping heavier grade gear oils (to SAE 140). Both models deliver approximately 75mls per stroke.

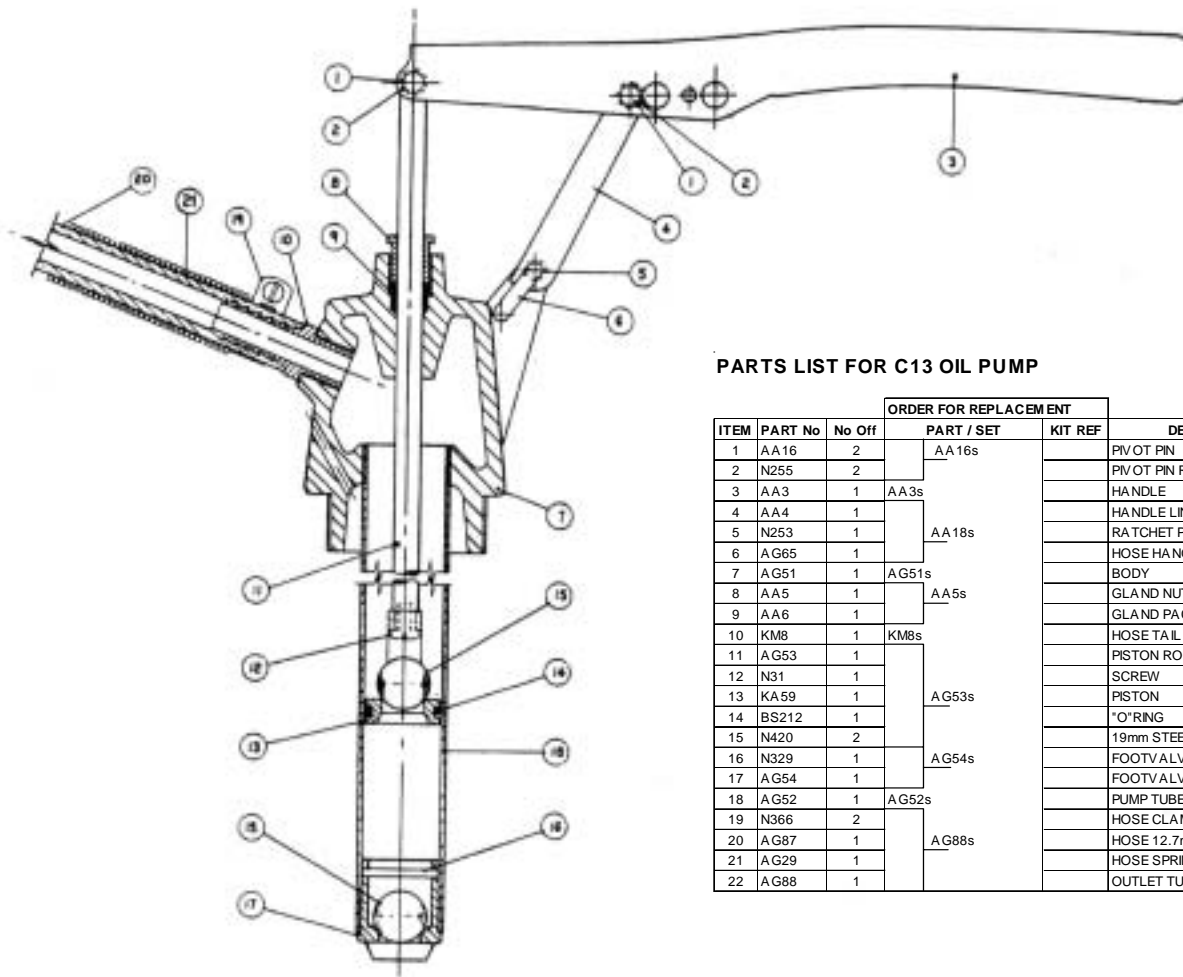
An optional (CF) strainer is available for pumping transmission fluids and hydraulic oils.



TROUBLE SHOOTING

TROUBLE	CAUSE	REMEDY
Hard to pump	a) Gland nut is screwed down too tightly.	a) Adjust gland nut
	b) Bent piston rod	b) Replace piston rod and piston assembly
Pump fails to prime	a) Footvalve ball is not seating properly.	a) Remove the footvalve assembly from the pump and clean.
	b) Piston valve ball is not seating or the piston "O"ring is damaged.	b) Clean piston assembly and replace the piston "o"ring if required.

PARTS DIAGRAM



PARTS LIST FOR C13 OIL PUMP

ORDER FOR REPLACEMENT					
ITEM	PART No	No Off	PART / SET	KIT REF	DESCRIPTION
1	AA16	2	AA16s		PIVOT PIN
2	N255	2			PIVOT PIN RETAINER
3	AA3	1	AA3s		HANDLE
4	AA4	1			HANDLE LINK
5	N253	1	AA18s		RATCHET PLATE
6	AG65	1			HOSE HANGER PIVOT
7	AG51	1	AG51s		BODY
8	AA5	1	AA5s		GLAND NUT
9	AA6	1			GLAND PACKING
10	KM8	1	KM8s		HOSE TAIL
11	AG53	1			PISTON ROD
12	N31	1			SCREW
13	KA59	1	AG53s		PISTON
14	BS212	1			*O* RING
15	N420	2			19mm STEEL BALL
16	N329	1	AG54s		FOOTVALVE PIN
17	AG54	1			FOOTVALVE
18	AG52	1	AG52s		PUMP TUBE
19	N366	2			HOSE CLAMP
20	AG87	1	AG88s		HOSE 12.7mm x 1.84mm LONG
21	AG29	1			HOSE SPRING
22	AG88	1			OUTLET TUBE ASSEMBLY

PARTS LIST FOR C11 OIL PUMP

ORDER FOR REPLACEMENT					
ITEM	PART No	No Off	PART / SET	KIT REF	DESCRIPTION
1	AA16	2	AA16s		PIVOT PIN
2	N255	2			PIVOT PIN RETAINER
3	AA3	1	AA3s		HANDLE
4	AA4	1			HANDLE LINK
5	N253	1	AA18s		RATCHET PLATE
6	AG65	1			HOSE HANGER PIVOT
7	AG51	1	AG51s		BODY
8	AA5	1	AA5s		GLAND NUT
9	AA6	1			GLAND PACKING
10	KM8	1	KM8s		HOSE TAIL
11	AG43	1			PISTON ROD
12	N31	1			SCREW
13	KA59	1	AG43s		PISTON
14	BS212	1			*O* RING
15	N420	2			19mm STEEL BALL
16	N329	1	AG54s		FOOTVALVE PIN
17	AG54	1			FOOTVALVE
18	AG42	1	AG42s		PUMP TUBE
19	N366	2			HOSE CLAMP
20	AG87	1	AG88s		HOSE 12.7mm x 1.84mm LONG
21	AG29	1			HOSE SPRING
22	AG88	1			OUTLET TUBE ASSEMBLY

WARRANTY POLICY

Macnaught Limited ("Macnaught") warrants that Products purchased after 1st of July 1999 will be free from any defects caused by faulty materials or workmanship for a period of (5) years from the date of purchase of the product.

For componentry contained in the product which are subject to wear, the warranty period will be (12) months from the date of purchase of the product.

Provided that during the Warranty period:

- 1) Macnaught receives notice setting out full details of any defect in any product and details of the time and place of purchase.
- 2) The Purchaser, at their own cost returns the product to the nearest authorized Macnaught service center.

Macnaught shall, at its option repair or replace any product found defective by its inspection.

This warranty does not cover failure of parts or components due to normal wear or damage, which in the judgment of Macnaught, arises from misuse, abrasion corrosion, negligence, accident, substitution of non-Macnaught parts, faulty installation or tampering.

If Macnaught inspection discloses no defect in material or workmanship, repair or replacement and return will be made at customary charges.

Macnaught's liability and the purchaser's rights under this Warranty shall be limited to such repair or replacement and in particular, shall not extend to any direct, special, indirect or consequential damage or losses of any nature.

The foregoing warranty supersedes, voids and is in lieu of all or any other warranties.

Note:

This warranty does not form part of, nor does it constitute, a contract between Macnaught and the purchaser. It is additional to any warranty given by the seller of the products and does not exclude, limit, restrict or modify the rights and remedies conferred upon the purchaser, or the liabilities imposed on the seller, by any statute or other laws in respect of the sale of the product.



Macnaught Pty Ltd
 PO Box 90 Arncliffe NSW 2205 Australia
 Telephone (02) 9567 0401
 Facsimile (02) 9597 7773